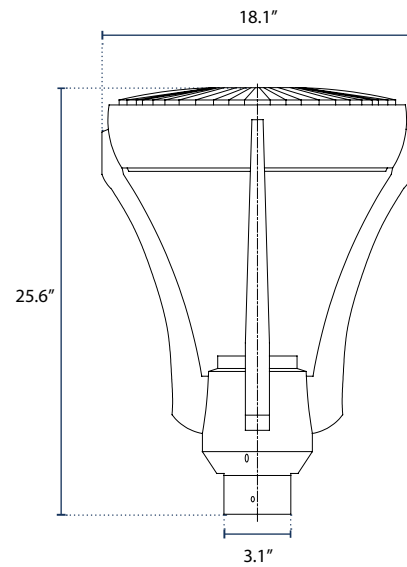


H-01

POST TOP



SPECIFICATIONS

Casting

Die Cast Aluminum

Driver

Meanwell

LED's

Available Upon Request

Finish

Polyester Powder-Coat
Electrostatically
Applied & Thermocured

Mounting

3.1" Inside Diameter

Post Top

LED
Height: 25.6"
Width: 18.1"

Pole

Fits a 3" OD pole or Tenon

Voltage

120-277V

CRI

>70

Distribution

Type IV & Type V

Efficiency

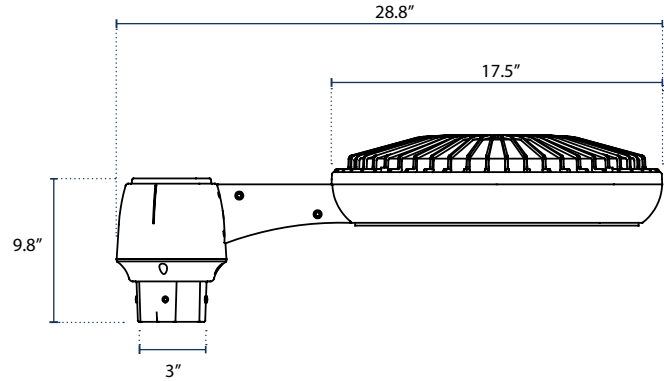
90-110 lm/W

ORDERING

POST TOP	LAMP TYPE	CCT	WATTAGE	VOLTAGE	OPTICS	MOUNTING	FINISH	OPTIONS
H-01	INTEGRATED LED BOARD	3000K 4000K 5000K Amber (590nm)	50W 80W	100-277V	TYPE IV TYPE V	POLE/TENON	BK Semi Gloss Black DB Textured Dark Bronze	- None P Photocell S Shield

H-02

POST TOP



SPECIFICATIONS

Casting

Die Cast Aluminum

Driver

Meanwell

LED's

Available Upon Request

Finish

Polyester Powder-Coat
Electrostatically
Applied & Thermocured

Mounting

3.1" Inside Diameter

Post Top

LED
Height: 10"
Width: 30"

Pole

Fits a 3" Pole or Tenon

Voltage

100-277V

CRI

>70

Distribution

Type IV & Type V

Efficiency

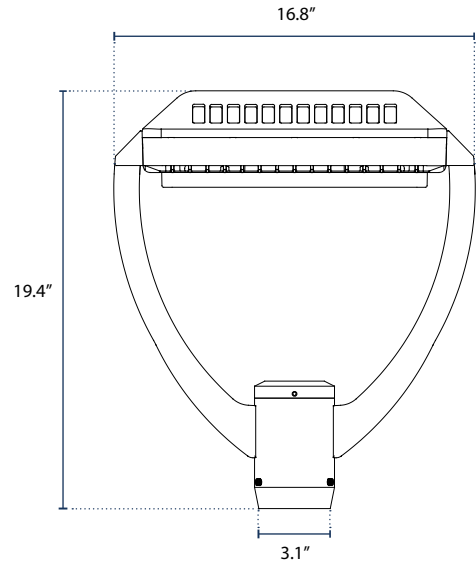
90-110 lm/W

ORDERING

POST TOP	LAMP TYPE	CCT	WATTAGE	VOLTAGE	OPTICS	MOUNTING	FINISH	OPTIONS
H-02	INTEGRATED LED BOARD	3000K 4000K 5000K Amber (590nm)	50W 80W	100-277V	TYPE IV TYPE V	POLE/TENON	BK Semi Gloss Black DB Textured Dark Bronze	- None P Photocell S Shield

PT-M4

POST TOP



SPECIFICATIONS

Casting

Die Cast Aluminum

Driver

Meanwell

LED's

Available Upon Request

Finish

Polyester Powder-Coat
Electrostatically
Applied & Thermocured

Mounting

3" Inside Diameter

Post Top

LED
Height: 19.4"
Width: 16.8"

Pole

Fits on 3" Pole or Tenon

Voltage

120-277V

CRI

>70

Distribution

90°

Efficiency

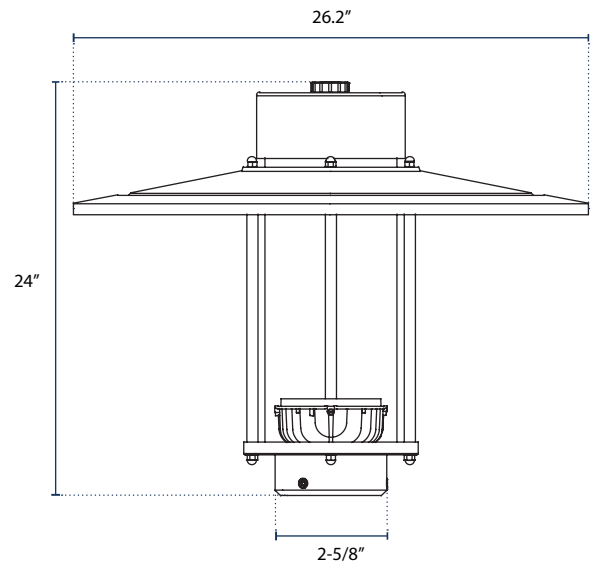
100-120 lm/W

ORDERING

POST TOP	LAMP TYPE	CCT	WATTAGE	VOLTAGE	OPTICS	MOUNTING	FINISH
PT-M4	INTEGRATED LED BOARD			100-277V	90°	POLE/TENON	
		3000K	70W				BK Semi Gloss Black
		4000K	100W				DB Textured Dark Bronze
		5000K	120W				
		Amber (590nm)					

PT-M5

POST TOP



SPECIFICATIONS

Casting

Die Cast Aluminum

Driver

Meanwell

LED's

Available Upon Request

Finish

Polyester Powder-Coat
Electrostatically
Applied & Thermocured

Mounting

3" Inside Diameter

Post Top

LED
Height: 24"
Width: 26.2"

Pole

Fits 2-3/8" Pole or Tenon

Voltage

120-277V

CRI

>70

Distribution

120°

Efficiency

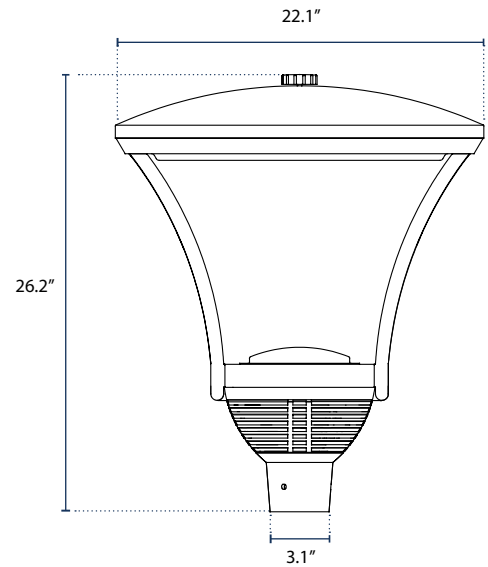
90-110 lm/W

ORDERING

POST TOP	LAMP TYPE	CCT	WATTAGE	VOLTAGE	OPTICS	MOUNTING	FINISH
PT-M5	INTEGRATED LED BOARD		35W	100-277V	120°	POLE/TENON	
		3000K 4000K 5000K Amber (590nm)					BK Semi Gloss Black DB Textured Dark Bronze

PT-M8

POST TOP



SPECIFICATIONS

Casting

Die Cast Aluminum

Driver

Meanwell

LED's

Available Upon Request

Finish

Polyester Powder-Coat
Electrostatically
Applied & Thermocured

Mounting

3.1" Inside Diameter

Post Top

LED
Height: 26.2"
Width: 22.1"

Pole

Fits a 3" Pole or Tenon

Voltage

120-277V

CRI

>70

Efficiency

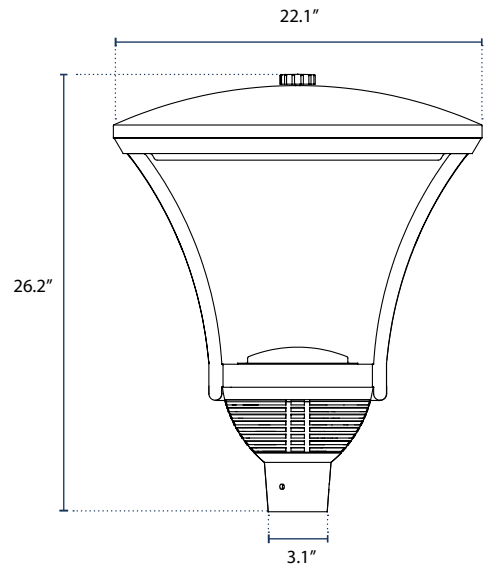
90-110 lm/w

ORDERING

POST TOP	LAMP TYPE	CCT	WATTAGE	VOLTAGE	OPTICS	MOUNTING	FINISH
PT-M8	INTEGRATED LED BOARD			100-277V	120°	POLE/TENON	
		3000K	30W				BK Semi Gloss Black
		4000K	45W				DB Textured Dark Bronze
		5000K	60W				
		Amber (590nm)					

PT-M9

POST TOP



SPECIFICATIONS

Casting

Die Cast Aluminum

Driver

Meanwell

LED's

Available Upon Request

Finish

Polyester Powder-Coat
Electrostatically
Applied & Thermocured

Mounting

3.1" Inside Diameter

Post Top

LED
Height: 26.2"
Width: 22.1"

Pole

Fits 3" Pole or Tenon

Voltage

120-277V

CRI

>70

Efficiency

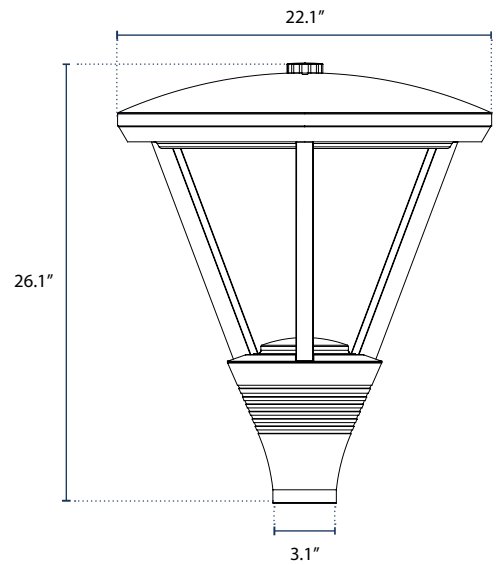
90-110 lm/W

ORDERING

POST TOP	LAMP TYPE	CCT	WATTAGE	VOLTAGE	OPTICS	MOUNTING	FINISH	OPTIONS
PT-M9	INTEGRATED LED BOARD			100-277V		POLE/TENON		
		3000K	70W		TYPE IV		BK Semi Gloss Black	- None
		4000K	80W		TYPE V		DB Textured Dark Bronze	P Photocell
		5000K	100W					S Shield
			120W					
		Amber (590nm)						

PT-M10

POST TOP



SPECIFICATIONS

Casting

Die Cast Aluminum

Driver

Meanwell

LED's

Available Upon Request

Finish

Polyester Powder-Coat
Electrostatically
Applied & Thermocured

Mounting

3.1" Inside Diameter

Post Top

LED
Height: 26.1"
Width: 22.1"

Pole

Fits 3" Pole or Tenon

Voltage

120-240/277V

CRI

>70

Efficiency

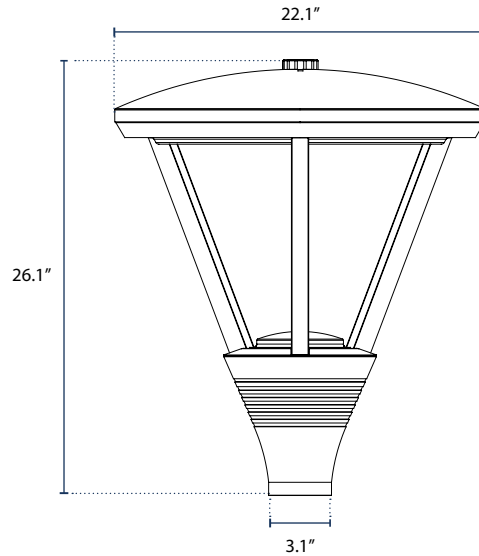
90-110 lm/W

ORDERING

POST TOP	LAMP TYPE	CCT	WATTAGE	VOLTAGE	OPTICS	MOUNTING	FINISH
PT-M10	INTEGRATED LED BOARD	3000K 45W 4000K 60W 5000K Amber (590nm)		100-277V	120°	POLE/TENON	BK Semi Gloss Black DB Textured Dark Bronze

PT-M11

POST TOP



SPECIFICATIONS

Casting

Die Cast Aluminum

Driver

Meanwell

LED's

Available Upon Request

Finish

Polyester Powder-Coat
Electrostatically
Applied & Thermocured

Mounting

3.1" Inside Diameter

Post Top

LED
Height: 26.1"
Width: 22.1"

Pole

Fits 3" Tenon or Pole

Voltage

120-240/277V

CRI

>70

Efficiency

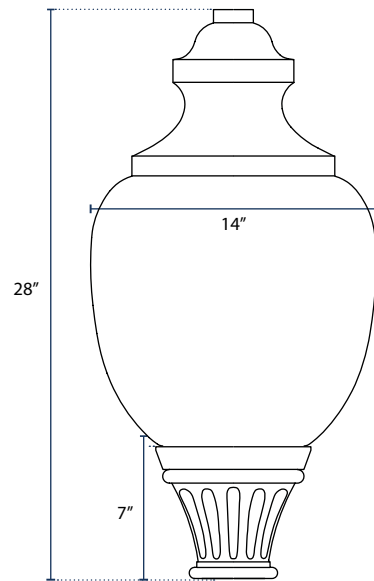
90-110 lm/W

ORDERING

POST TOP	LAMP TYPE	CCT	WATTAGE	VOLTAGE	OPTICS	MOUNTING	FINISH	OPTIONS
PT-M11	INTEGRATED LED BOARD			100-277V		POLE/TENON		
		3000K	70W		TYPE IV		BK Semi Gloss Black	- None
		4000K	100W		TYPE V		DB Textured Dark Bronze	P Photocell
		5000K	120W					S Shield
		Amber (590nm)						

AA

POST TOP



SPECIFICATIONS

Casting

Die Cast Aluminum
(Globeholder)

LED's

Available Upon Request

Mounting

3.1" Inside Diameter

Pole

Fits all JAN Lighting
Solutions 3" and 4" poles and
5" poles with a tenon

Globe

26A Acrylic Acorn

Finish

Polyester Powder-Coat
Electrostatically
Applied & Thermocured

Post Top

LED
Height: 28"
Width: 14"

Efficiency

120-140 lm/W

Fasteners

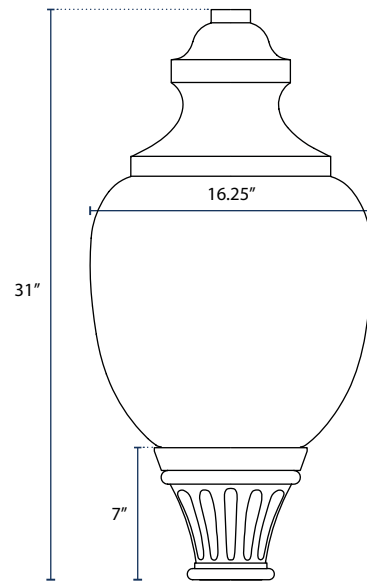
Stainless Steel

ORDERING

POST TOP	LAMP TYPE	CCT	WATTAGE	VOLTAGE	OPTICS	MOUNTING	FINISH	OPTIONS
AA				100-277V	TYPE V	POLE/TENON		
	LED CORN LIGHT	3000K	18W				BK Black	- None
	MEDIUM SOCKET ONLY	4000K	27W				DB Dark Bronze	P Photocell
	MOGUL SOCKET ONLY	5000K	36W				GN Dark Green	
			54W				VG Verde Green	

AC

POST TOP



SPECIFICATIONS

Casting

Die Cast Aluminum
(Globeholder)

LED's

Available Upon Request

Mounting

3.1" Inside Diameter

Pole

Fits all JAN Lighting
Solutions 3" and 4" poles and
5" poles with a tenon

Globe

27A Acrylic Acorn

Finish

Polyester Powder-Coat
Electrostatically
Applied & Thermocured

Post Top

LED
Height: 31"
Width: 16.25"

Efficiency

120-140 lm/W

Fasteners

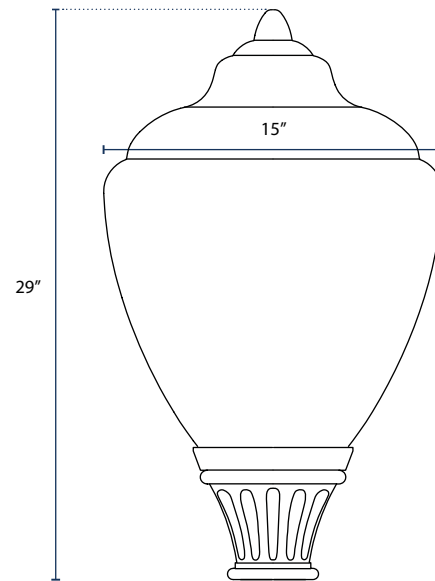
Stainless Steel

ORDERING

POST TOP	LAMP TYPE	CCT	WATTAGE	VOLTAGE	OPTICS	MOUNTING	FINISH	OPTIONS
AC				100-277V	TYPE V	POLE/TENON		
	LED CORN LIGHT	3000K	18W				BK Black	- None
	MEDIUM SOCKET ONLY	4000K	27W				DB Dark Bronze	P Photocell
	MOGUL SOCKET ONLY	5000K	36W				GN Dark Green	
			54W				VG Verde Green	

AG

POST TOP



SPECIFICATIONS

Casting

Die Cast Aluminum
(Globeholder)

LED's

Available Upon Request

Mounting

3.1" Inside Diameter

Pole

Fits all JAN Lighting
Solutions 3" and 4" poles and
5" poles with a tenon

Globe

29A Acrylic Acorn

Finish

Polyester Powder-Coat
Electrostatically
Applied & Thermocured

Post Top

LED
Height: 29"
Width: 15"

Efficiency

120-140 lm/W

Fasteners

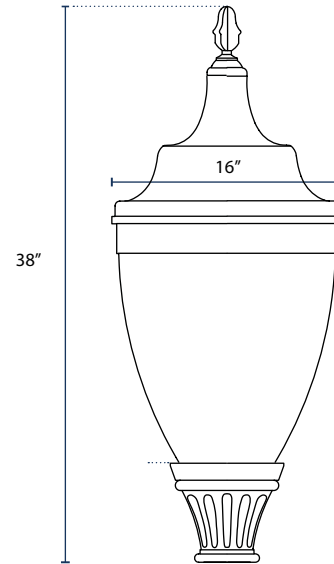
Stainless Steel

ORDERING

POST TOP	LAMP TYPE	CCT	WATTAGE	VOLTAGE	OPTICS	MOUNTING	FINISH	OPTIONS
AG				100-277V	TYPE V	POLE/TENON		
	LED CORN LIGHT	3000K	18W				BK Black	- None
	MEDIUM SOCKET ONLY	4000K	27W				DB Dark Bronze	P Photocell
	MOGUL SOCKET ONLY	5000K	36W				GN Dark Green	
			54W				VG Verde Green	

AGA1

POST TOP



SPECIFICATIONS

Casting

Die Cast Aluminum
(Globeholder)

LED's

Available Upon Request

Mounting

3.1" Inside Diameter

Pole

Fits all JAN Lighting Solutions
3" and 4" poles and 5" poles
with a tenon

Globe

29A Acrylic Acorn

Finish

Polyester Powder-Coat
Electrostatically
Applied & Thermocured

Post Top

LED
Height: 38"
Width: 16"

Efficiency

120-140 lm/W

Fasteners

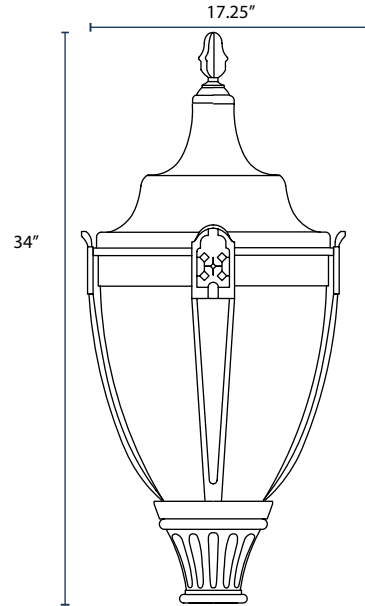
Stainless Steel

ORDERING

POST TOP	LAMP TYPE	CCT	WATTAGE	VOLTAGE	OPTICS	MOUNTING	FINISH	OPTIONS
AGA1	LED CORN LIGHT	3000K	18W	100-277V	TYPE V	POLE/TENON	BK Black	- None
	MEDIUM SOCKET ONLY	4000K	27W				DB Dark Bronze	P Photocell
	MOGUL SOCKET ONLY	5000K	36W				GN Dark Green	O Oval Band
			54W				VG Verde Green	

AGA1A

POST TOP



SPECIFICATIONS

Casting

Die Cast Aluminum
(Globeholder)

LED's

Available Upon Request

Mounting

3.1" Inside Diameter

Pole

Fits all JAN Lighting Solutions
3" and 4" poles and 5" poles
with a tenon

Globe

27A Acrylic Acorn

Finish

Polyester Powder-Coat
Electrostatically
Applied & Thermocured

Post Top

LED
Height: 34"
Width: 17.25"

Efficiency

120-140 lm/W

Fasteners

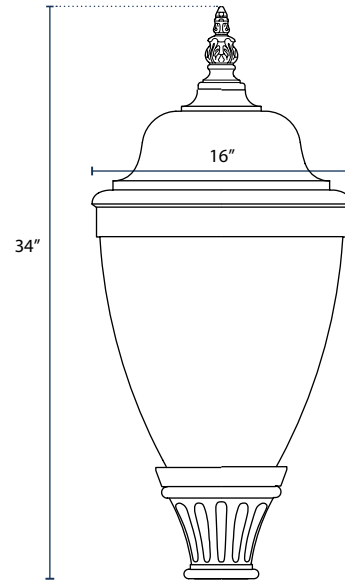
Stainless Steel

ORDERING

POST TOP	LAMP TYPE	CCT	WATTAGE	VOLTAGE	OPTICS	MOUNTING	FINISH	OPTIONS
AGA1A				100-277V	TYPE V	POLE/TENON		
	LED CORN LIGHT	3000K	18W				BK Black	- None
	MEDIUM SOCKET ONLY	4000K	27W				DB Dark Bronze	P Photocell
	MOGUL SOCKET ONLY	5000K	36W				GN Dark Green	
			54W				VG Verde Green	

AGB2

POST TOP



SPECIFICATIONS

Casting

Die Cast Aluminum
(Globeholder)

Globe

29A Acrylic Acorn

Fasteners

Stainless Steel

LED's

Available Upon Request

Finish

Polyester Powder-Coat
Electrostatically
Applied & Thermocured

Mounting

3.1" Inside Diameter

Post Top

LED
Height: 34"
Width: 16"

Pole

Fits all JAN Lighting Solutions
3" and 4" poles and 5" poles
with a tenon

Efficiency

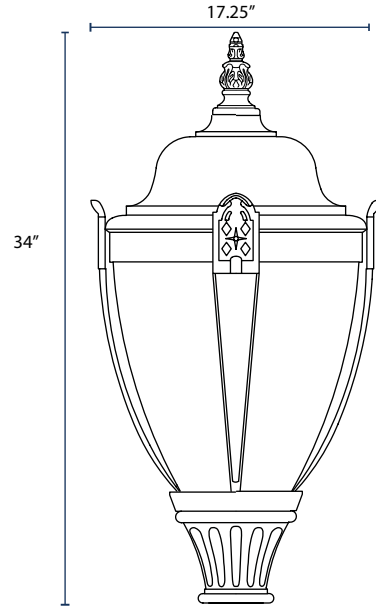
120-140 lm/W

ORDERING

POST TOP	LAMP TYPE	CCT	WATTAGE	VOLTAGE	OPTICS	MOUNTING	FINISH	OPTIONS
AGB2				100-277V	TYPE V	POLE/TENON		
	LED CORN LIGHT	3000K	18W				BK Black	- None
	MEDIUM SOCKET ONLY	4000K	27W				DB Dark Bronze	P Photocell
	MOGUL SOCKET ONLY	5000K	36W				GN Dark Green	
			54W				VG Verde Green	

AGB2A

POST TOP



SPECIFICATIONS

Casting

Die Cast Aluminum
(Globeholder)

LED's

Available Upon Request

Mounting

3.1" Inside Diameter

Pole

Fits all JAN Lighting Solutions
3" and 4" poles and 5" poles
with a tenon

Globe

29A Acrylic Acorn

Finish

Polyester Powder-Coat
Electrostatically
Applied & Thermocured

Post Top

LED
Height: 34"
Width: 17.25"

Efficiency

120-140 lm/W

Fasteners

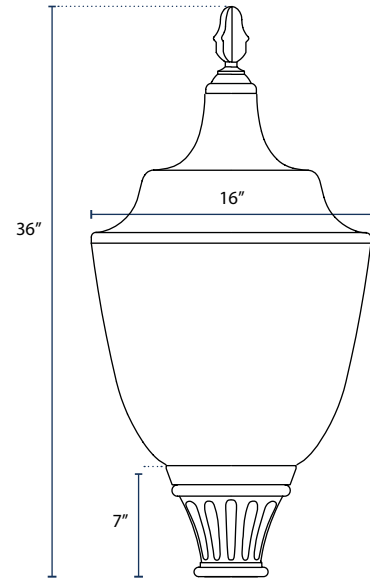
Stainless Steel

ORDERING

POST TOP	LAMP TYPE	CCT	WATTAGE	VOLTAGE	OPTICS	MOUNTING	FINISH	OPTIONS
AGB2A				100-277V	TYPE V	POLE/TENON		
	LED CORN LIGHT	3000K	18W				BK Black	- None
	MEDIUM SOCKET ONLY	4000K	27W				DB Dark Bronze	P Photocell
	MOGUL SOCKET ONLY	5000K	36W				GN Dark Green	
			54W				VG Verde Green	

AMC1

POST TOP



SPECIFICATIONS

Casting

Die Cast Aluminum
(Globeholder)

LED's

Available Upon Request

Mounting

3.1" Inside Diameter

Pole

Fits all JAN Lighting Solutions
3" and 4" poles and 5" poles
with a tenon

Globe

Type III Prismatic

Finish

Polyester Powder-Coat
Electrostatically
Applied & Thermocured

Post Top

LED
Height: 36"
Width: 16"

Efficiency

120-140 lm/W

Fasteners

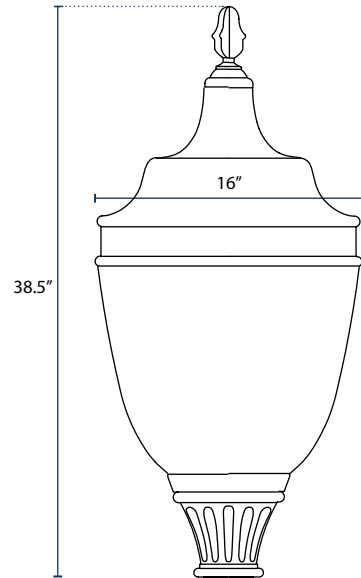
Stainless Steel

ORDERING

POST TOP	LAMP TYPE	CCT	WATTAGE	VOLTAGE	OPTICS	MOUNTING	FINISH	OPTIONS
AMC1				100-277V	TYPE III	POLE/TENON		
	LED CORN LIGHT	3000K	18W				BK Black	- None
	MEDIUM SOCKET ONLY	4000K	27W				DB Dark Bronze	P Photocell
	MOGUL SOCKET ONLY	5000K	36W				GN Dark Green	
			54W				VG Verde Green	

AMD1

POST TOP



SPECIFICATIONS

Casting

Die Cast Aluminum
(Globeholder)

LED's

Available Upon Request

Mounting

3.1" Inside Diameter

Pole

Fits all JAN Lighting Solutions
3" and 4" poles and 5" poles
with a tenon

Globe

Type III Prismatic

Finish

Polyester Powder-Coat
Electrostatically
Applied & Thermocured

Post Top

LED
Height: 38.5"
Width: 16"

Efficiency

120-140 lm/W

Fasteners

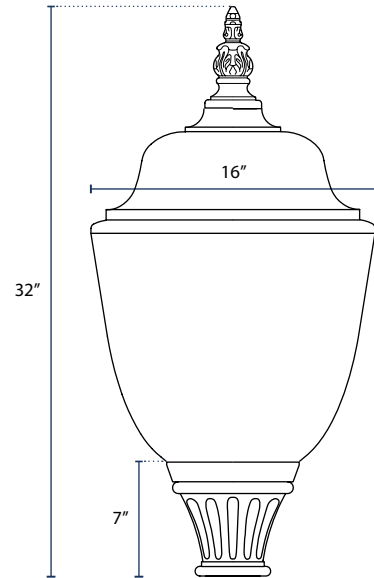
Stainless Steel

ORDERING

POST TOP	LAMP TYPE	CCT	WATTAGE	VOLTAGE	OPTICS	MOUNTING	FINISH	OPTIONS
AMD1				100-277V	TYPE III	POLE/TENON		
	LED CORN LIGHT	3000K	18W				BK Black	- None
	MEDIUM SOCKET ONLY	4000K	27W				DB Dark Bronze	P Photocell
	MOGUL SOCKET ONLY	5000K	36W				GN Dark Green	
			54W				VG Verde Green	

AME2

POST TOP



SPECIFICATIONS

Casting

Die Cast Aluminum
(Globeholder)

Globe

Type III Prismatic

Fasteners

Stainless Steel

LED's

Available Upon Request

Finish

Polyester Powder-Coat
Electrostatically
Applied & Thermocured

Mounting

3.1" Inside Diameter

Post Top

LED
Height: 32"
Width: 16"

Pole

Fits all JAN Lighting Solutions
3" and 4" poles and 5" poles
with a tenon

Efficiency

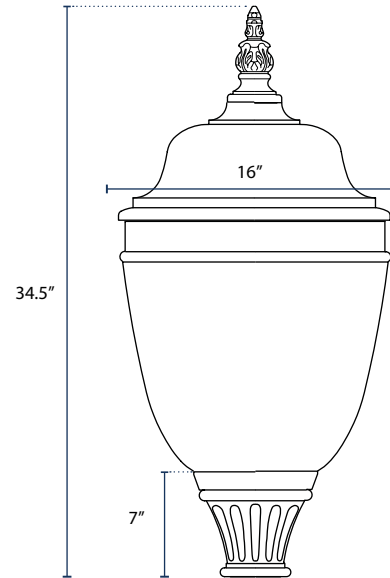
120-140 lm/W

ORDERING

POST TOP	LAMP TYPE	CCT	WATTAGE	VOLTAGE	OPTICS	MOUNTING	FINISH	OPTIONS
AME2				100-277V	TYPE III	POLE/TENON		
	LED CORN LIGHT	3000K	18W				BK Black	- None
	MEDIUM SOCKET ONLY	4000K	27W				DB Dark Bronze	P Photocell
	MOGUL SOCKET ONLY	5000K	36W				GN Dark Green	
			54W				VG Verde Green	

AMF2

POST TOP



SPECIFICATIONS

Casting

Die Cast Aluminum
(Globeholder)

LED's

Available Upon Request

Mounting

3.1" Inside Diameter

Pole

Fits all JAN Lighting Solutions
3" and 4" poles and 5" poles
with a tenon

Globe

Type III Prismatic

Finish

Polyester Powder-Coat
Electrostatically
Applied & Thermocured

Post Top

LED
Height: 34.5"
Width: 16"

Efficiency

120-140 lm/W

Fasteners

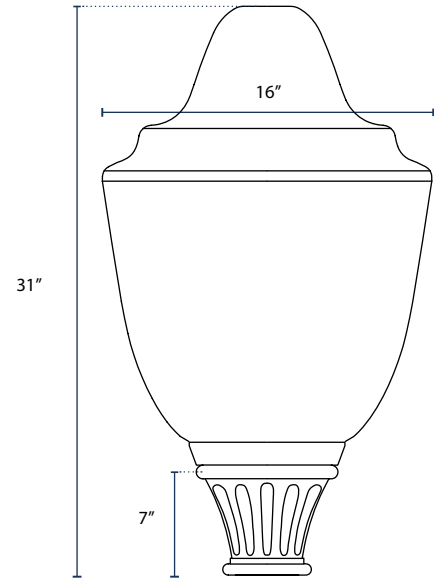
Stainless Steel

ORDERING

POST TOP	LAMP TYPE	CCT	WATTAGE	VOLTAGE	OPTICS	MOUNTING	FINISH	OPTIONS
AMF2				100-277V	TYPE III	POLE/TENON		
	LED CORN LIGHT	3000K	18W				BK Black	- None
	MEDIUM SOCKET ONLY	4000K	27W				DB Dark Bronze	P Photocell
	MOGUL SOCKET ONLY	5000K	36W				GN Dark Green	
			54W				VG Verde Green	

AMG

POST TOP



SPECIFICATIONS

Casting

Die Cast Aluminum
(Globeholder)

LED's

Available Upon Request

Mounting

3.1" Inside Diameter

Pole

Fits all JAN Lighting Solutions
3" and 4" poles and 5" poles
with a tenon

Globe

Type III Prismatic

Finish

Polyester Powder-Coat
Electrostatically
Applied & Thermocured

Post Top

LED
Height: 31"
Width: 16"

Efficiency

120-140 lm/W

Fasteners

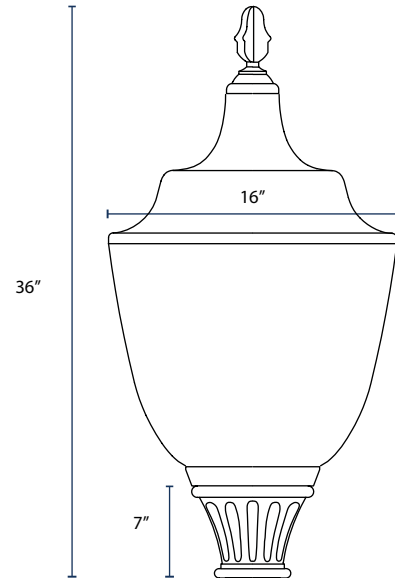
Stainless Steel

ORDERING

POST TOP	LAMP TYPE	CCT	WATTAGE	VOLTAGE	OPTICS	MOUNTING	FINISH	OPTIONS
AMG				100-277V	TYPE III	POLE/TENON		
	LED CORN LIGHT	3000K	18W				BK Black	- None
	MEDIUM SOCKET ONLY	4000K	27W				DB Dark Bronze	P Photocell
	MOGUL SOCKET ONLY	5000K	36W				GN Dark Green	
			54W				VG Verde Green	

ANC1

POST TOP



SPECIFICATIONS

Casting

Die Cast Aluminum
(Globeholder)

LED's

Available Upon Request

Mounting

3.1" Inside Diameter

Pole

Fits all JAN Lighting Solutions
3" and 4" poles and 5" poles
with a tenon

Globe

Type V Prismatic

Finish

Polyester Powder-Coat
Electrostatically
Applied & Thermocured

Post Top

LED
Height: 36"
Width: 16"

Efficiency

120-140 lm/W

Fasteners

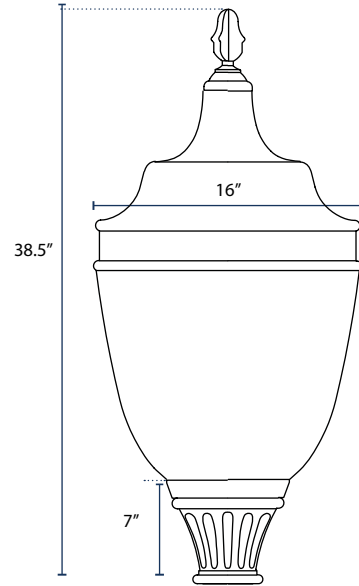
Stainless Steel

ORDERING

POST TOP	LAMP TYPE	CCT	WATTAGE	VOLTAGE	OPTICS	MOUNTING	FINISH	OPTIONS
ANC1				100-277V	TYPE V	POLE/TENON		
	LED CORN LIGHT	3000K	18W				BK Black	- None
	MEDIUM SOCKET ONLY	4000K	27W				DB Dark Bronze	P Photocell
	MOGUL SOCKET ONLY	5000K	36W				GN Dark Green	
			54W				VG Verde Green	

AND1

POST TOP



SPECIFICATIONS

Casting

Die Cast Aluminum
(Globeholder)

LED's

Available Upon Request

Mounting

3.1" Inside Diameter

Pole

Fits all JAN Lighting Solutions
3" and 4" poles and 5" poles
with a tenon

Globe

Type V Prismatic

Finish

Polyester Powder-Coat
Electrostatically
Applied & Thermocured

Post Top

LED
Height: 38.5"
Width: 16"

Efficiency

120-140 lm/W

Fasteners

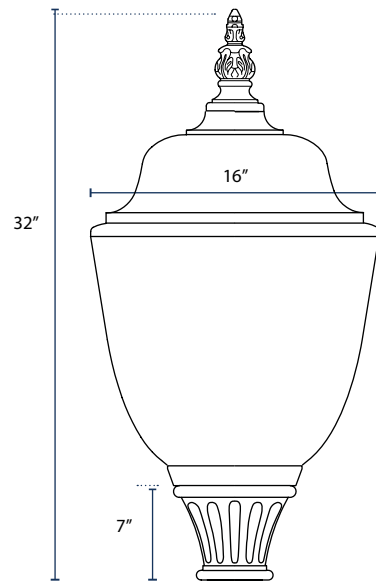
Stainless Steel

ORDERING

POST TOP	LAMP TYPE	CCT	WATTAGE	VOLTAGE	OPTICS	MOUNTING	FINISH	OPTIONS
AND1				100-277V	TYPE V	POLE/TENON		
	LED CORN LIGHT	3000K	18W				BK Black	- None
	MEDIUM SOCKET ONLY	4000K	27W				DB Dark Bronze	P Photocell
	MOGUL SOCKET ONLY	5000K	36W				GN Dark Green	O Oval Band
			54W				VG Verde Green	

ANE2

POST TOP



SPECIFICATIONS

Casting

Die Cast Aluminum
(Globeholder)

LED's

Available Upon Request

Mounting

3.1" Inside Diameter

Pole

Fits all JAN Lighting Solutions
3" and 4" poles and 5" poles
with a tenon

Globe

Type V Prismatic

Finish

Polyester Powder-Coat
Electrostatically
Applied & Thermocured

Post Top

LED
Height: 32"
Width: 16"

Efficiency

120-140 lm/W

Fasteners

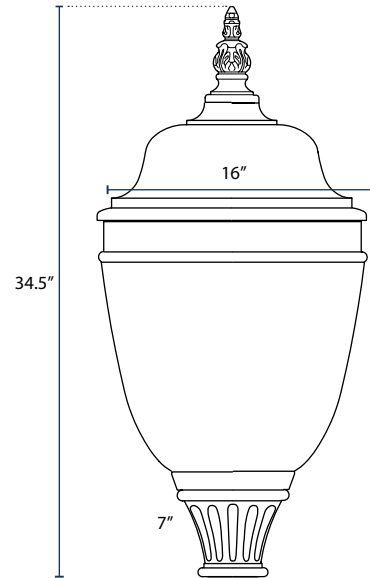
Stainless Steel

ORDERING

POST TOP	LAMP TYPE	CCT	WATTAGE	VOLTAGE	OPTICS	MOUNTING	FINISH	OPTIONS
ANE2				100-277V	TYPE V	POLE/TENON		
	LED CORN LIGHT	3000K	18W				BK Black	- None
	MEDIUM SOCKET ONLY	4000K	27W				DB Dark Bronze	P Photocell
	MOGUL SOCKET ONLY	5000K	36W				GN Dark Green	
			54W				VG Verde Green	

ANF2

POST TOP



SPECIFICATIONS

Casting

Die Cast Aluminum
(Globeholder)

LED's

Available Upon Request

Mounting

3.1" Inside Diameter

Pole

Fits all JAN Lighting Solutions
3" and 4" poles and 5" poles
with a tenon

Globe

Type V Prismatic

Finish

Polyester Powder-Coat
Electrostatically
Applied & Thermocured

Post Top

LED
Height: 34.5
Width: 16"

Efficiency

120-140 lm/W

Fasteners

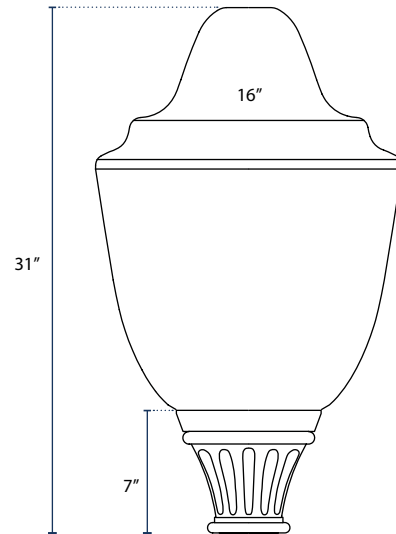
Stainless Steel

ORDERING

POST TOP	LAMP TYPE	CCT	WATTAGE	VOLTAGE	OPTICS	MOUNTING	FINISH	OPTIONS
ANF2				100-277V	TYPE V	POLE/TENON		
	LED CORN LIGHT	3000K	18W				BK Black	- None
	MEDIUM SOCKET ONLY	4000K	27W				DB Dark Bronze	P Photocell
	MOGUL SOCKET ONLY	5000K	36W				GN Dark Green	
			54W				VG Verde Green	

ANG

POST TOP



SPECIFICATIONS

Casting

Die Cast Aluminum
(Globeholder)

Globe

Type V Prismatic

Fasteners

Stainless Steel

LED's

Available Upon Request

Finish

Polyester Powder-Coat
Electrostatically
Applied & Thermocured

Mounting

3.1" Inside Diameter

Post Top

LED
Height: 31"
Width: 16"

Pole

Fits all JAN Lighting Solutions
3" and 4" poles and 5" poles
with a tenon

Efficiency

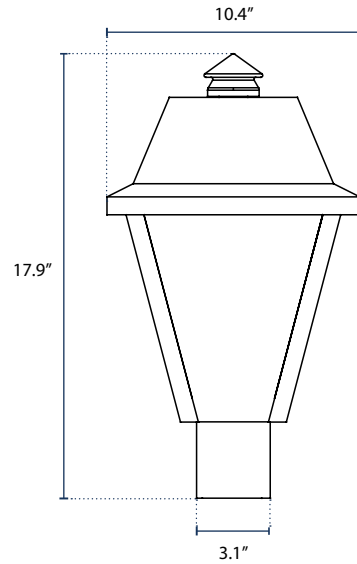
120-140 lm/W

ORDERING

POST TOP	LAMP TYPE	CCT	WATTAGE	VOLTAGE	OPTICS	MOUNTING	FINISH	OPTIONS
ANG				100-277V	TYPE V	POLE/TENON		
	LED CORN LIGHT	3000K	18W				BK Black	- None
	MEDIUM SOCKET ONLY	4000K	27W				DB Dark Bronze	P Photocell
	MOGUL SOCKET ONLY	5000K	36W				GN Dark Green	
			54W				VG Verde Green	

PT-T8

POST TOP



SPECIFICATIONS

Casting

Stainless Steel

Driver

Meanwell

LED's

Available Upon Request

Finish

Polyester Powder-Coat
Electrostatically
Applied & Thermocured

Mounting

3.1" Inside Diameter

Post Top

LED
Height: 17.9"
Width: 10.4"

Pole

Fits a 3" Pole or Tenon

Voltage

120-277V

CRI

>70

Distribution

Type IV & Type V

Efficiency

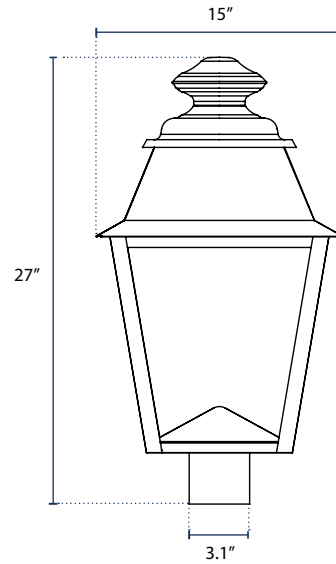
90-110 lm/W

ORDERING

POST TOP	LAMP TYPE	CCT	WATTAGE	VOLTAGE	OPTICS	MOUNTING	FINISH
PT-T8	INTEGRATED LED BOARD	3000K 4000K 5000K	25W 35W	100-277V	TYPE IV TYPE V	POLE/TENON	BK Semi Gloss Black DB Textured Dark Bronze

PT-T9

POST TOP



SPECIFICATIONS

Casting

Stainless Steel

Finish

Polyester Powder-Coat
Electrostatically
Applied & Thermocured

Post Top

LED
Height: 27"
Width: 15"

Voltage

100-277V

Driver

Meanwell

CRI

>70

LED's

Available Upon Request

Mounting

3.1" Inside Diameter

Pole

Fits 3" Pole or Tenon

Distribution

Type IV & Type V

ORDERING

POST TOP	LAMP TYPE	CCT	WATTAGE	VOLTAGE	OPTICS	MOUNTING	FINISH	OPTIONS
PT-T9	INTEGRATED LED BOARD			100-277V		POLE/TENON		
		3000K 60W			TYPE IV TYPE V		BK Semi Gloss Black	- None
		4000K 80W				DB Textured Dark Bronze	P Photocell	
		5000K 120W Amber (590 nm)				L Lensing		

CL1

LUMINAIRE BASE AND POLE

SPECIFICATIONS

Base

CL1 Series
Height: 33"
Width: 12"

Holder

3" OD Pole Capacity

Fasteners

Stainless Steel

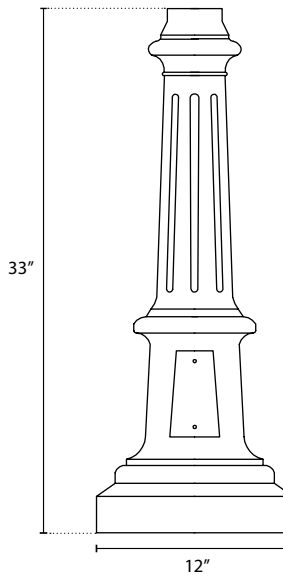
Finish

Polyester Powder-Coat Electrostatically Applied & Thermocured

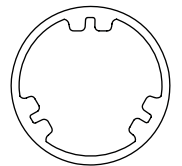
Pole

.125" Wall Extruded Aluminum

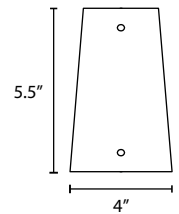
DIMENSIONS



Base Footprint
Circular base pattern requiring three (3) 1/2" anchor bolts



Access Door



ORDERING

BASE	HEIGHT	STYLE
CL1		
	0 9'4"	S Smooth
	1 10'4"	F Fluted
	2 11'4"	
	3 12'4"	
	4 13'4"	
	5 14'4"	

CL2

LUMINAIRE BASE AND POLE

SPECIFICATIONS

Base

CL2 Series
Height: 32"
Width: 15.5"

Holder

4" OD Pole Capacity

Fasteners

Stainless Steel

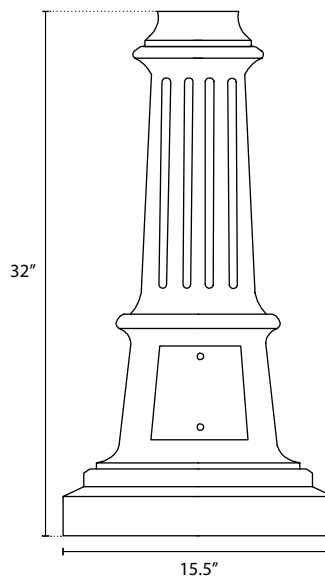
Finish

Polyester Powder-Coat Electrostatically Applied & Thermocured

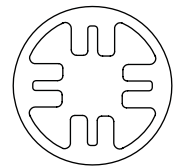
Pole

.125" Wall Extruded Aluminum

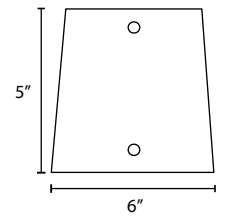
DIMENSIONS



Base Footprint
Circular base pattern requiring four (4) 1/2" anchor bolts



Access Door



ORDERING

BASE	HEIGHT	STYLE
CL2		
	0 10'4"	S Smooth
	1 11'4"	F Fluted
	2 12'4"	
	3 13'4"	
	4 14'4"	
	5 15'4"	

CL5

LUMINAIRE BASE AND POLE

SPECIFICATIONS

Base

CL5 Series
Height: 23"
Width: 17"

Holder

4" OD Pole Capacity

Fasteners

Stainless Steel

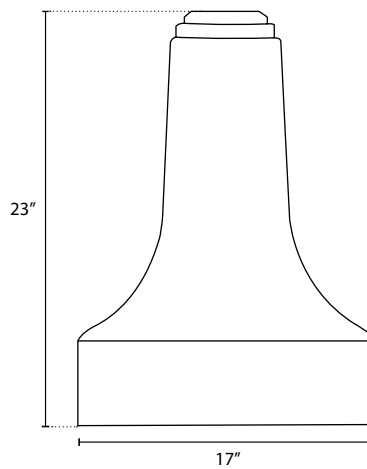
Finish

Polyester Powder-Coat Electrostatically Applied & Thermocured

Pole

.125" Wall Extruded Aluminum

DIMENSIONS



Base Footprint
Circular base pattern requiring three (3) 3/4" anchor bolts



ORDERING

BASE	HEIGHT	STYLE
CL5		
	0 9'8"	S Smooth
	1 10'8"	
	2 11'8"	
	3 12'8"	
	4 13'8"	
	5 14'8"	

CL6

LUMINAIRE BASE AND POLE

SPECIFICATIONS

Base

CL6 Series
Height: 25.5"
Width: 17"

Holder

4" OD Pole Capacity

Fasteners

Stainless Steel

Finish

Polyester Powder-Coat Electrostatically Applied & Thermocured

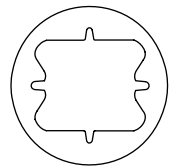
Pole

.125" Wall Extruded Aluminum

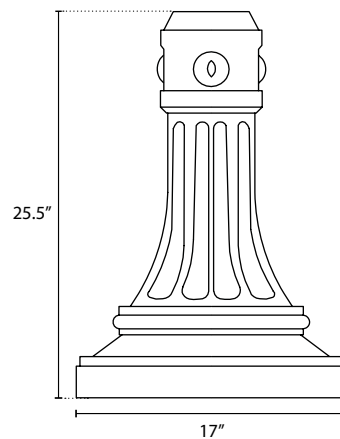
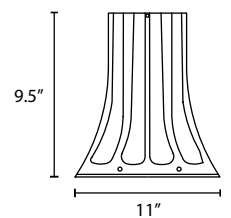
DIMENSIONS

Base Footprint

Circular base pattern requiring four (4) 3/4" anchor bolts



Access Door



ORDERING

BASE	HEIGHT	STYLE
CL6		
	0 9'10"	S Smooth
	1 10'10"	F Fluted
	2 11'10"	
	3 12'10"	
	4 13'10"	
	5 14'10"	

CL7

LUMINAIRE BASE AND POLE

SPECIFICATIONS

Base

CL7 Series
Height: 25.5"
Width: 20"

Holder

5" OD Pole Capacity

Fasteners

Stainless Steel

Finish

Polyester Powder-Coat Electrostatically Applied & Thermocured

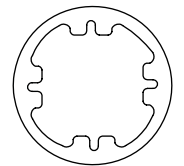
Pole

.125" Wall Extruded Aluminum

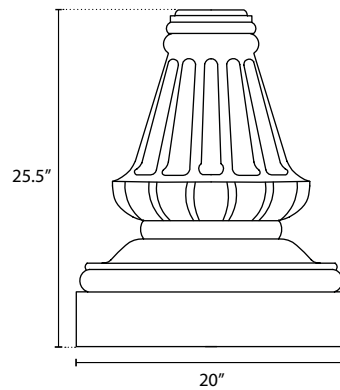
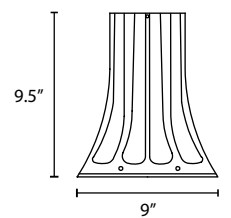
DIMENSIONS

Base Footprint

Circular base pattern requiring four (4) 3/4" anchor bolts



Access Door



ORDERING

BASE	HEIGHT	STYLE
CL7		
	0 9'10"	S Smooth
	1 10'10"	F Fluted
	2 11'10"	
	3 12'10"	
	4 13'10"	
	5 14'10"	

CL8

LUMINAIRE BASE AND POLE

SPECIFICATIONS

Base

CL8 Series
Height: 19"
Width: 17"

Holder

4" OD Pole Capacity

Fasteners

Stainless Steel

Finish

Polyester Powder-Coat Electrostatically Applied & Thermocured

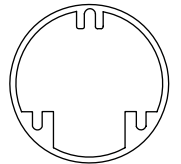
Pole

.125" Wall Extruded Aluminum

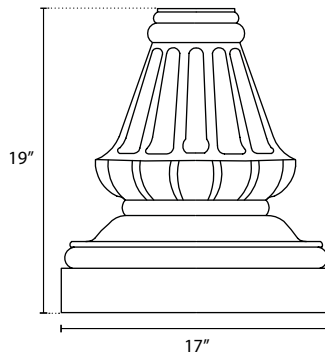
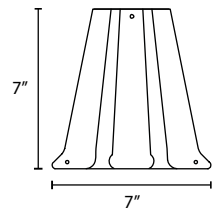
DIMENSIONS

Base Footprint

Circular base pattern requiring three (3) 3/4" anchor bolts



Access Door



ORDERING

BASE	HEIGHT	STYLE
CL8		
	0 9'4"	S Smooth
	1 10'4"	F Fluted
	2 11'4"	
	3 12'4"	
	4 13'4"	
	5 14'4"	

3 Inch Sign Poles

Channel | Fluted | Smooth | Square



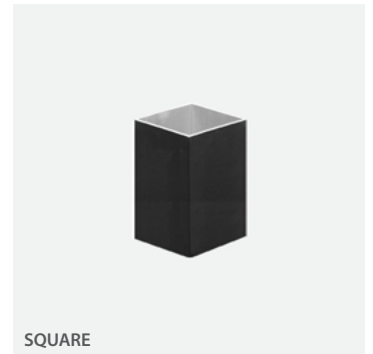
CHANNEL



FLUTED



SMOOTH



SQUARE

SPECIFICATIONS

Material

Extruded Aluminum Alloy

Height

8', 10', 12', 14'

ORDERING

POLE

HEIGHT

QUANTITY

SPF3 3" Fluted

8'

CP3 3" Channel

10'

SPS3 3" Smooth

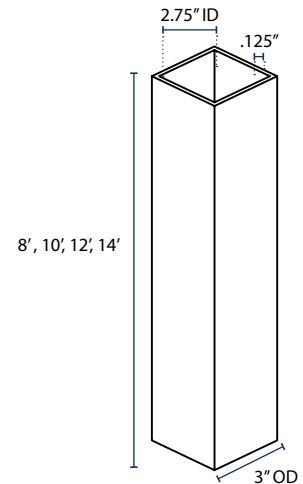
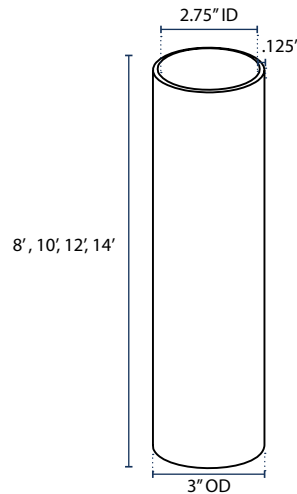
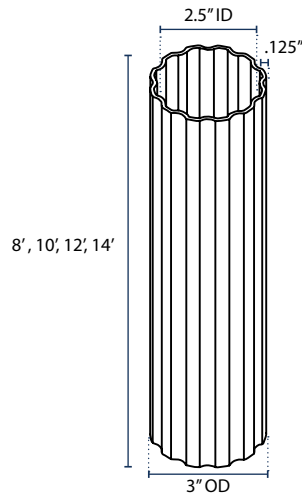
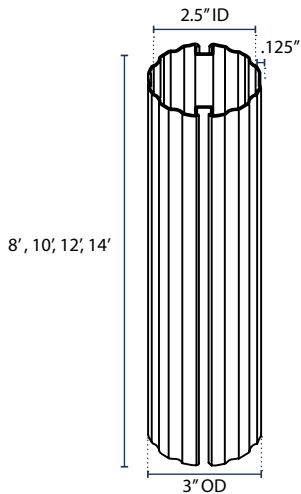
12'

SPQ3 3" Square

14'

DIMENSIONS

DRAWING FOR INFORMATION ONLY, NOT INTENDED FOR CONSTRUCTION PURPOSES.



4 Inch Sign Poles

Channel | Fluted | Smooth | Square



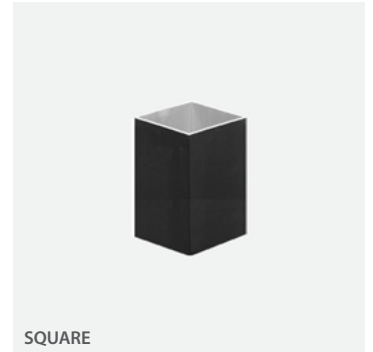
CHANNEL



FLUTED



SMOOTH



SQUARE

SPECIFICATIONS

Material

Extruded Aluminum Alloy

Height

8', 10', 12', 14'

ORDERING

POLE

HEIGHT

QUANTITY

SPF4 4" Fluted

8'

CP4 4" Channel

10'

SPS4 4" Smooth

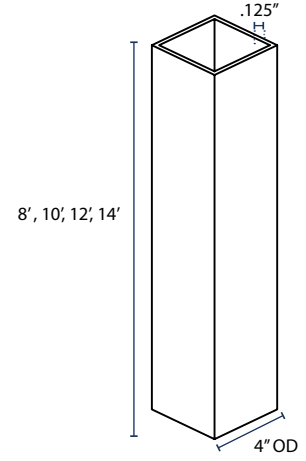
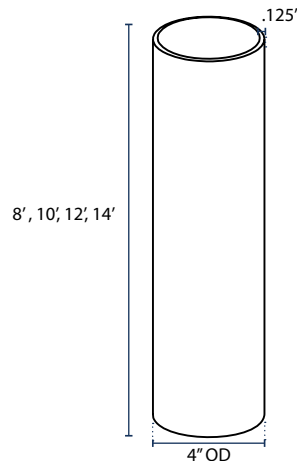
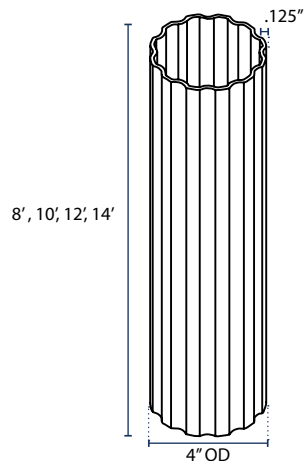
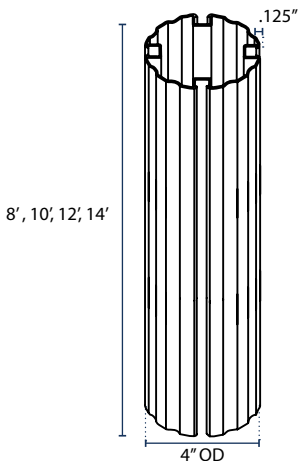
12'

SPQ4 4" Square

14'

DIMENSIONS

DRAWING FOR INFORMATION ONLY, NOT INTENDED FOR CONSTRUCTION PURPOSES.



5 Inch Sign Poles

Fluted | Smooth

SPECIFICATIONS

Material

Extruded Aluminum Alloy

Height

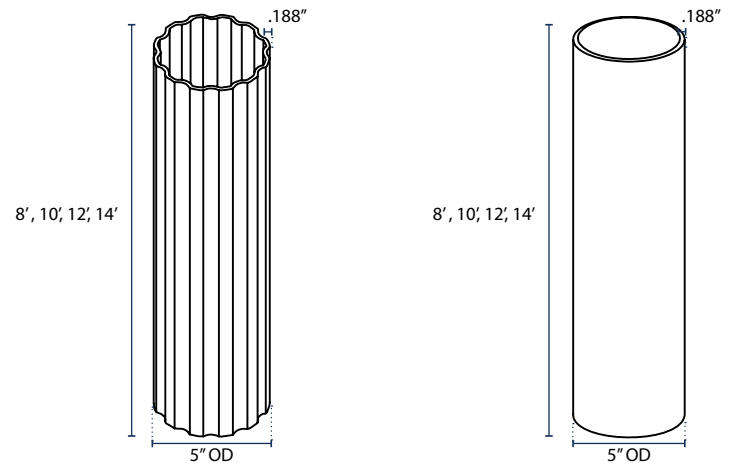
8', 10', 12', 14'

ORDERING

POLE	HEIGHT	QUANTITY
SPF5 5" Fluted	8'	
SPS5 5" Smooth	10'	
	12'	
	14'	

DIMENSIONS

DRAWING FOR INFORMATION ONLY, NOT INTENDED FOR CONSTRUCTION PURPOSES.



FLUTED



SMOOTH